

SunMade BRUSH WITH SHANK

SunMade Brush Tech Co.,Ltd. Brush With Shank

Small Roller Brush With Shank



Cup Brush With Shank



Small Shank Brush



Small Shank Brush For Jewelry



In every industry, need to use shank brush to grind ,polish ,eliminate the rust ,pickle,except that clear up ditch dirt. It can improve the product quality.

Shank brush has wide use range. It is suitable for various kind of device. Along with many new-type machine and equipment development,the application is more extensive and pluralism. It's greatest characteristic is that shank diameter size is flexible. It depend on customer's requirement.

We can produce solid and sturdy quality shank brush with various kinds of steel wire material and customer's different brush size and specification requirement to reach customer demand.

Please tell us the specification you need.

For example:

- 1.Brush Diameter:
- 2.Hole Diameter:
- 3.Brush Depth:
- 4.Accessory Diameter:
- 5.Wire Diameter:
- 6.Wire Material:
- 7.Package Requirement:
- 8.Other Specification And Brush Characteristic:

Please tell us above specification while ordering. If you have any question,please do not hesitate to contact with us for any further discussion. We are very appreciated to meet your demands.

Shank Brush



Twist Knot Brush With Shank

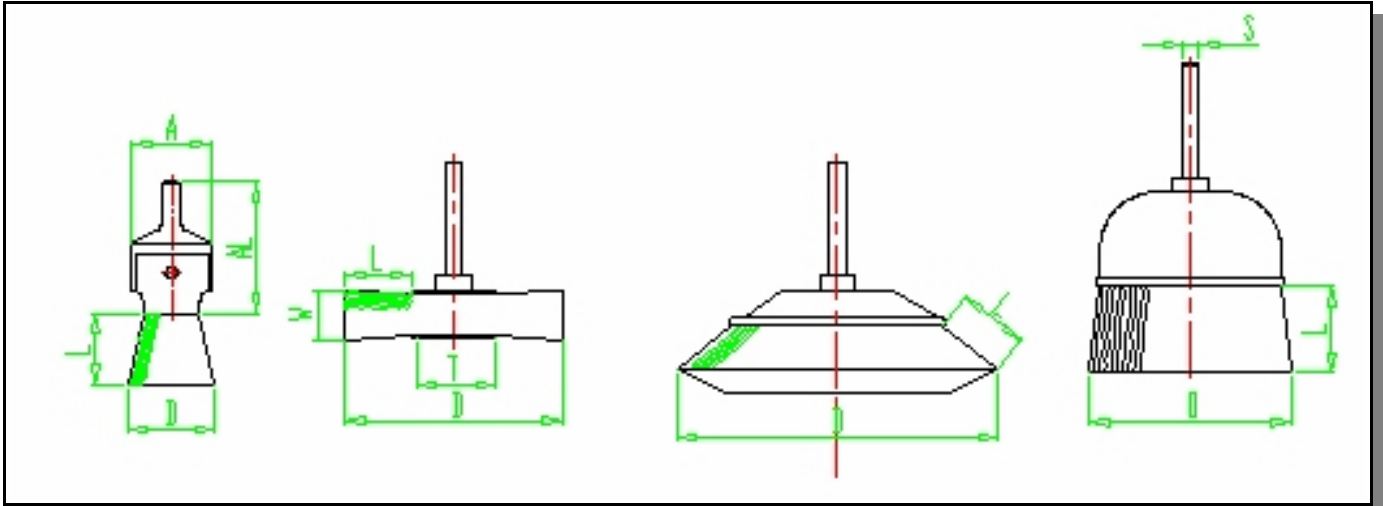


Twist Knot Brush With Shank



Brush With Shank





Brush With Shank(All sizes all may depend on customer demand ordering)

Item Name	Characteristic
Brush With Shank	Suitable for cleaning the dirt. It can clear the deepen ditch. When high-speed rotary,the brush will not scatter in a mess,and the stability is very good. It can install in various kinds of electric tools. It is kind of best DIY brush with shank. It also suitable for electron industry and chemical industry and steel pipe industry too.

For More Information:

Please visit below website for more information about [Brush With Shank] :

<http://www.sunmadebrush.com/>

If you want to order brush with shank,please contact our dealer or our sales representative.

Company:SunMade Brush Tech Co.,Ltd.

Address:No255, JhongJheng W.Rd., Mituo Township, Kaohsiung County, 827, Taiwan, R.O.C.

Tel:+886-7-6194871

Fax:+886-7-6195268

Email1 : sunmade.brush@yahoo.com

Email2 : brush_power@yahoo.com.tw

© 2007 SunMade Brush Tech Co.,Ltd. Keeps all copyright and retain all rights. This document is just for information use. SunMade Brush Tech Co.,Ltd does not undertake any slight defect responsibility guarantee,no matter it for clear instructions or silent showing.

© SunMade is SunMade Brush Tech Co.,Ltd. In Taiwan and other nations(areas) registered trademark or trademark.

SunMade