



SunMade Brush Tech Co.,Ltd. Cup Brush

8" Cup Brush



In each industry, it needs to use cup brush to eliminate rust, polish the rough edge, and get rid of the slag and paint dreg.

Most of the cup brush installed in the manual tools, electric tools and machine. It can keep balance while in high-speed rotating. It is suitable grind tools for everyone to use.

5" Cup Brush



We can produce solid and sturdy quality cup brush with various kinds of steel wire material and customer's different brush size and specification requirement to reach customer demand.

Please tell us the specification you need.

For example:

- 1. Outer Diameter:
- 2. Steel Wire Length:
- 3. Steel Wire Depth:
- 4. Wire Diameter:
- 5. Inner Hole Diameter:
- 6. Wire Material:

Please tell us above specification while ordering. If you have any question, please do not hesitate to contact with us for any further discussion. We are very appreciated to meet your demands.

3" VS 4" Cup Brush



CUP BRUSH

3" Cup Brush

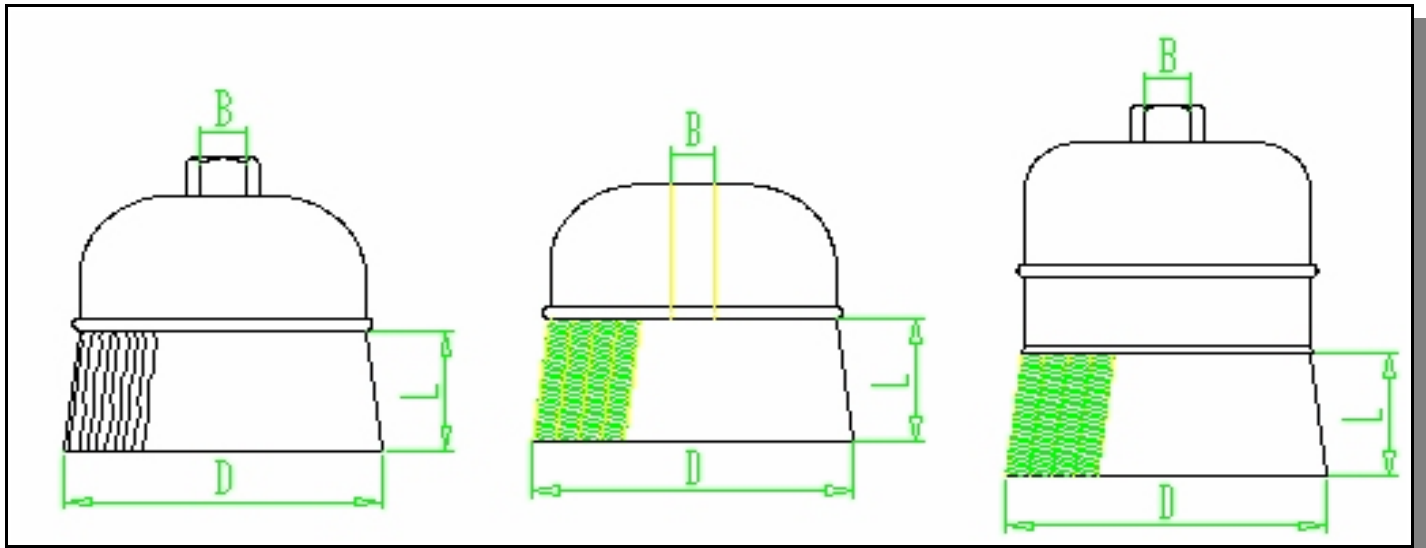


4" Twist Knot Cup Brush



3" Twist Knot Cup Brush





Cup Brush(All sizes all may depend on customer demand ordering)

Item Name	Characteristic
8" Cup Brush	It is suitable for electron industry to eliminate slag of machine board and retread tire body and tire edge clearance. EX: General electron industry and retread tire industry.
3" Cup Brush	It is kind of sturdy and thicker quality steel wire brush . Suitable for clearance and eliminate the rust in various kinds of industry.
3" Twist Knot Cup Brush	It is kind of thick scleroma and hard wire brush. Suitable for clearance and eliminate the rust and get rid of the slag in heavy industry.

For More Information:

Please visit below website for more information about [Cup Brush] :

<http://www.sunmadebrush.com/>

If you want to order cup brush, please contact our dealer or our sales representative.

Company: SunMade Brush Tech Co., Ltd.

Address: No255, JhongJheng W.Rd., Mituo Township, Kaohsiung County, 827, Taiwan, R.O.C.

Tel: +886-7-6194871

Fax: +886-7-6195268

Email1 : sunmade.brush@yahoo.com

Email2 : brush_power@yahoo.com.tw

© 2007 SunMade Brush Tech Co., Ltd. Keeps all copyright and retain all rights. This document is just for information use. SunMade Brush Tech Co., Ltd does not undertake any slight defect responsibility guarantee, no matter it for clear instructions or silent showing.

© SunMade is SunMade Brush Tech Co., Ltd. In Taiwan and other nations (areas) registered trademark or trademark.

SunMade