

SunMade Brush Tech Co.,Ltd. Roller Brush

Stainless Steel Roller Brush



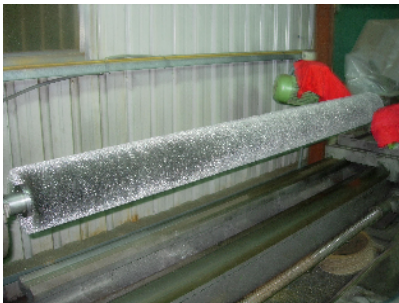
Stainless Steel Roller Brush



Stainless Steel Roller Brush



Stainless Steel Roller Brush



In every industry, need to use roller brush to grind, polish, eliminate rust, pickle, clear the dirt, and clean the dust for high precise product, for improve the quality of product.

Roller brush has wide use range, it is suitable for various kinds of industry. It install in special machine or big device. Along with new machine development and application, the application of roller brush is more extensive and pluralism. It's greatest characteristic is that you can demand the single wheel brush quantities. It's kind of elastic brush.

We can produce solid and sturdy quality roller brush with various kinds of steel wire material and customer's different brush size and specification requirement to reach customer demand.

Please tell us the specification you need.

For example:

1. Brush Diameter:
2. Roller Brush Length:
3. Axle Size:
4. Axle Hole Diameter:
5. Axle processing (+/-):
6. Wire Material:
7. Axle Rotary Speed:
8. Other Specification And Brush Characteristic:

Please tell us above specification while ordering. If you have any question, please do not hesitate to contact with us for any further discussion. We are very appreciated to meet your demands.

High Carbon Copper-Plating Steel Wire Roller Brush



PVC Nylon Brush

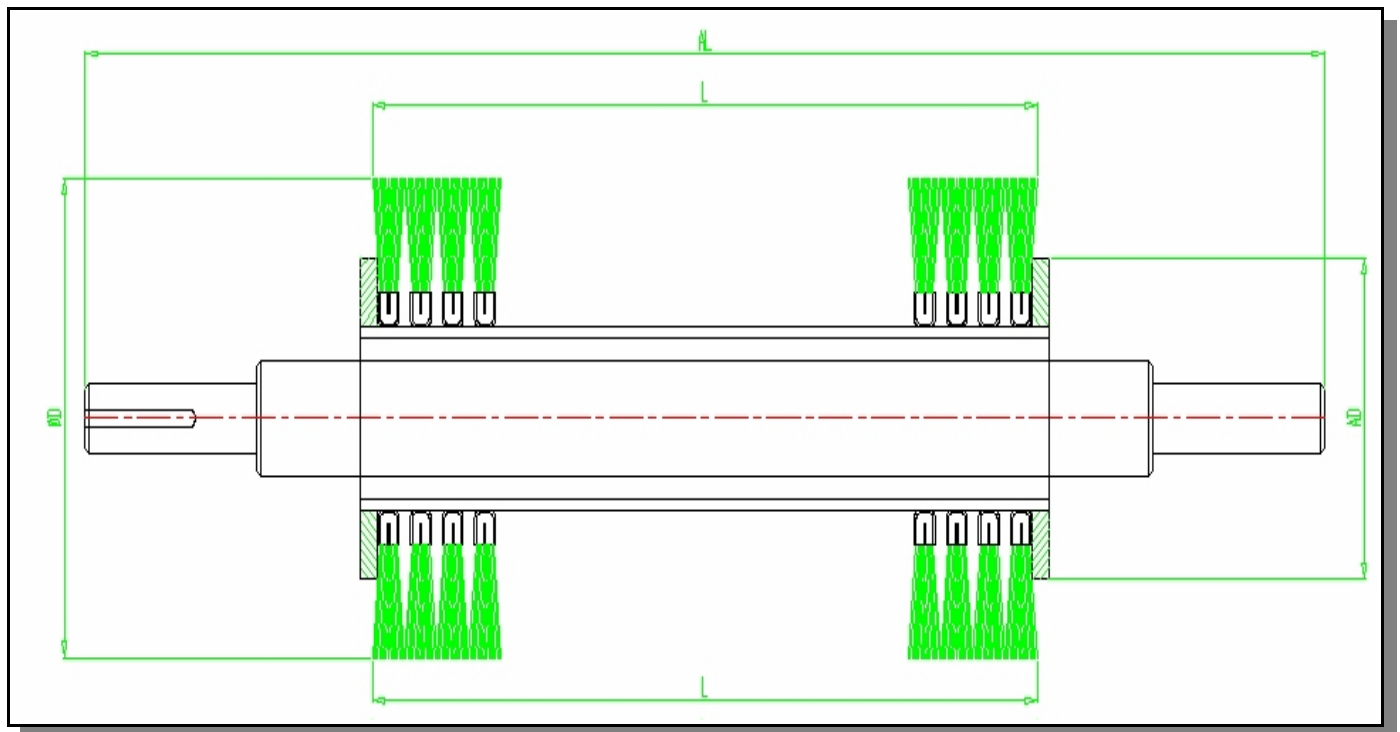
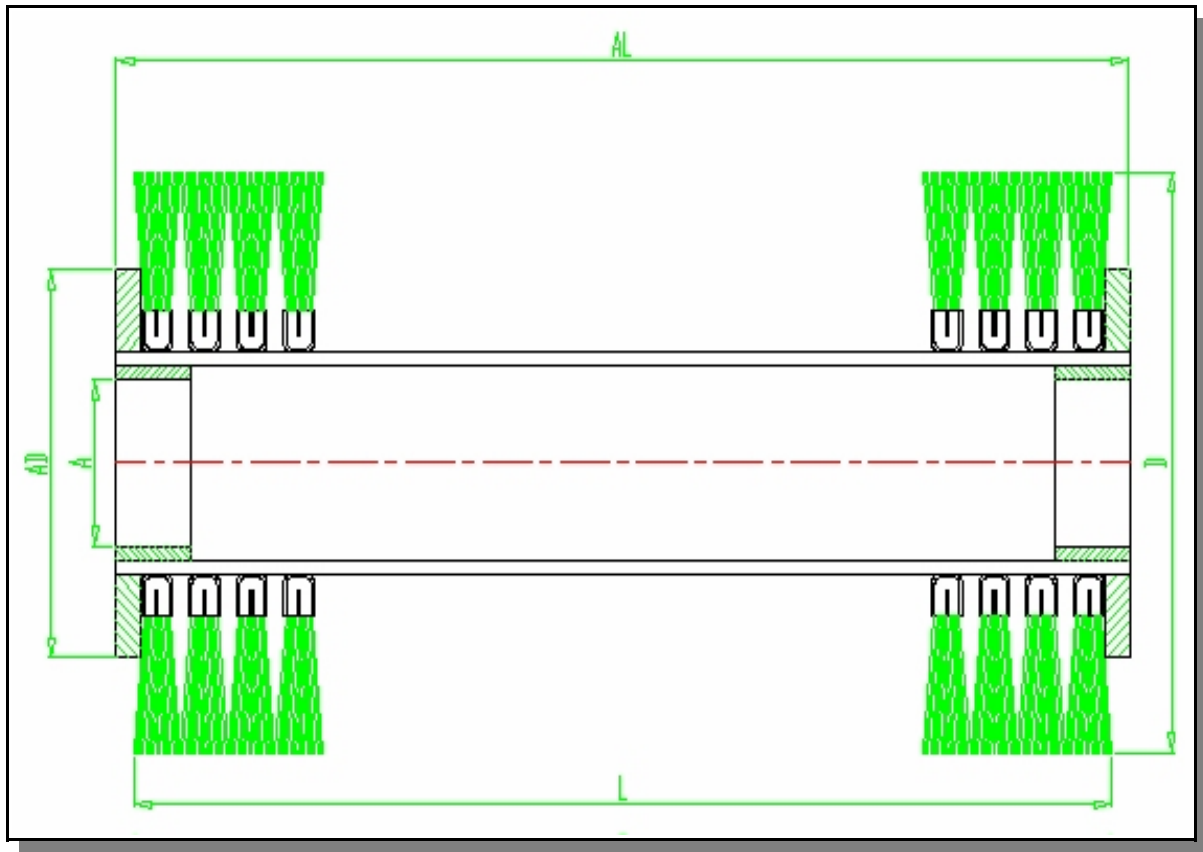


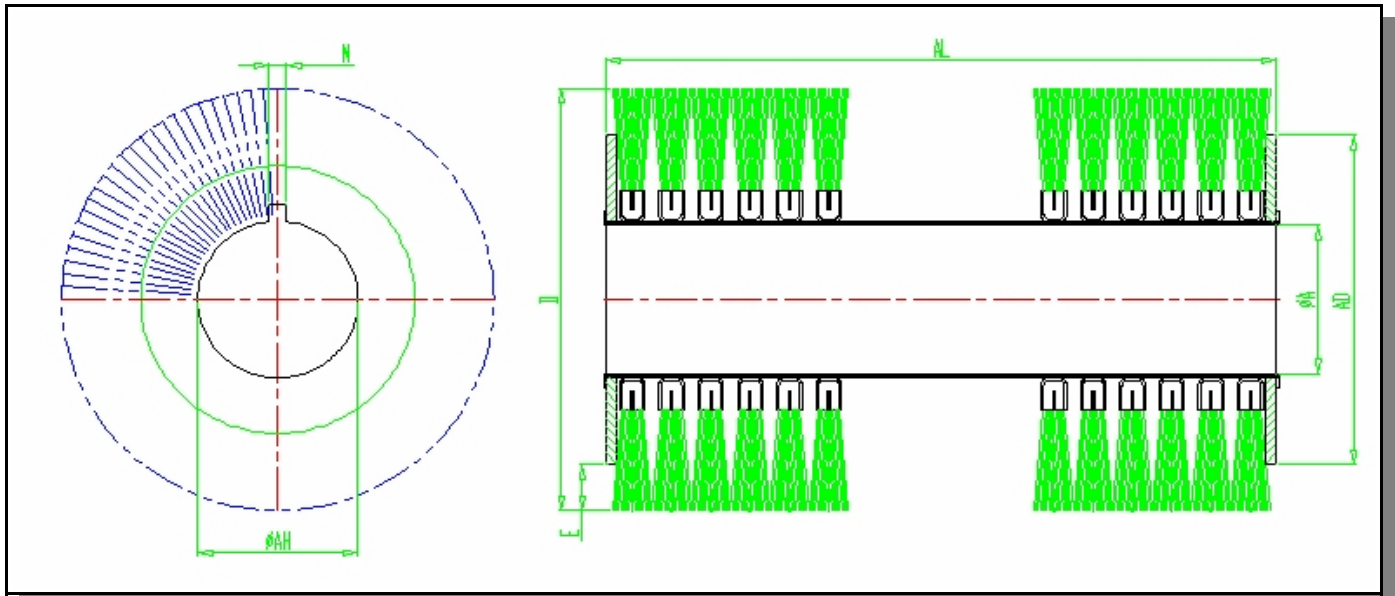
High Carbon Copper-Plating Steel Wire Roller Brush



High Carbon Copper-Plating Steel Wire Roller Brush







Roller Brush(All sizes all may depend on customer demand ordering)

Item Name	Characteristic
Roller Brush	Suitable for large scale surface clear the dust. It can bear the high temperature and pickled and antistatic. When in high speed rotary,the brush hair will not scatter in a mess,and the stability is very good. It can install in various kinds of equipments. It is also suitable for clearance in the electron industry too.

For More Information:

Please visit below website for more information about [Roller Brush] :

<http://www.sunmadebrush.com/>

If you want to order roller brush,please contact our dealer or our sales representative.

Company:SunMade Brush Tech Co.,Ltd.

Address:No255, JhongJheng W.Rd., Mituo Township, Kaohsiung County, 827, Taiwan, R.O.C.

Tel:+886-7-6194871

Fax:+886-7-6195268

Email1 : sunmade.brush@yahoo.com

Email2 : brush_power@yahoo.com.tw

© 2007 SunMade Brush Tech Co.,Ltd. Keeps all copyright and retain all rights. This document is just for information use. SunMade Brush Tech Co.,Ltd does not undertake any slight defect responsibility guarantee,no matter it for clear instructions or silent showing.

© SunMade is SunMade Brush Tech Co.,Ltd. In Taiwan and other nations(areas) registered trademark or trademark.

SunMade